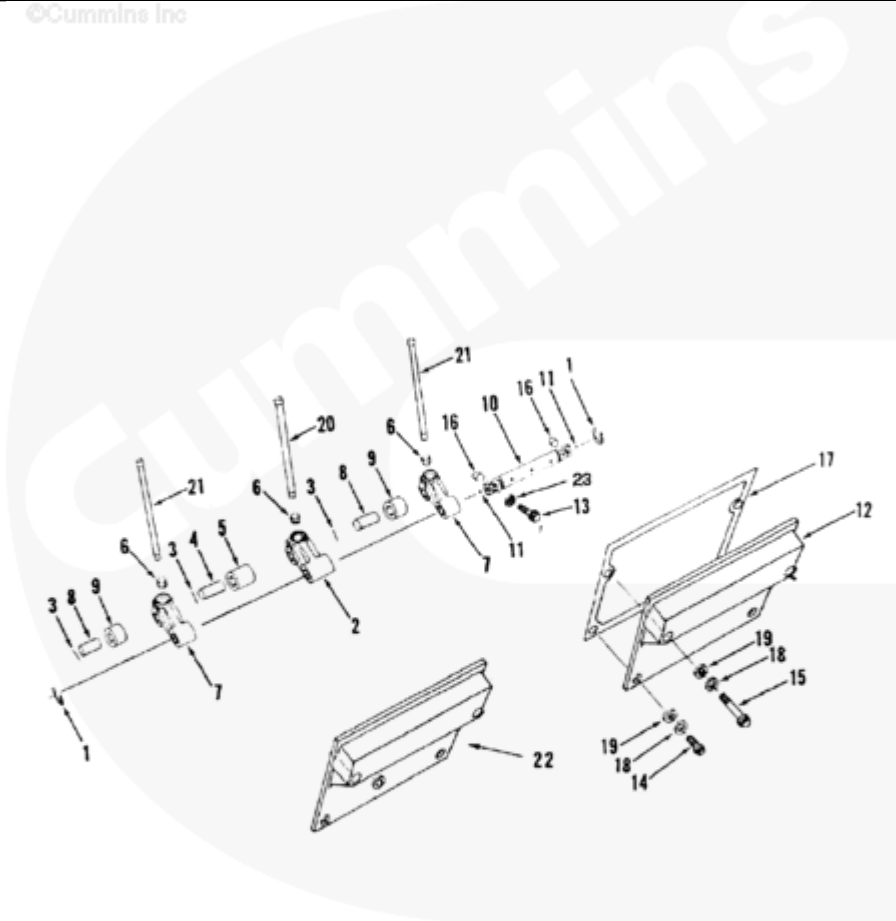




# Parts Catalog - Option Detail

Electronic Parts Catalog - Option Detail				
Option	Group	Graphic	Film Card	Date
BP6110-05	04.01	cm600gb	K38	02-AUG-04
<b>Engines</b>	GTA38, K38, KTA38GC CM558, QSK38 CM2150 K106, QSK38 CM2150 MCRS, QSK38 CM850 MCRS			

©Cummins Inc



cm600gb

[SMALL](#) | [MEDIUM](#) | [LARGE](#)

Cart	Ref No	Part Number	Part Description	Required	Remarks
<a href="#">View My Cart</a>					
		<a href="#">BP6110-05</a>	Cam Follower Assembly		

<input type="checkbox"/>	1	205439	Retaining Ring	24	
<input type="checkbox"/>	2	3039163	Cam Follower Lever	12	
<input type="checkbox"/>	3	205438	Tappet Roller Pin Lockwire	1	
<input type="checkbox"/>	4	205068	Cam Follower Roller Pin	1	
<input type="checkbox"/>	5	3016825	Cam Follower Roller	1	
<input type="checkbox"/>	6	213559	Cam Follower Socket	1	
<input type="checkbox"/>	7	3039164	Cam Follower Lever	24	
<input type="checkbox"/>	3	205438	Tappet Roller Pin Lockwire	1	
<input type="checkbox"/>	6	213559	Cam Follower Socket	1	
<input type="checkbox"/>	8	205071	Cam Follower Roller Pin	1	
<input type="checkbox"/>	9	3016826	Cam Follower Roller	1	
<input type="checkbox"/>	10	AR10626	Cam Follower Shaft	12	
<input type="checkbox"/>	11	205227	Expansion Plug	2	
<input type="checkbox"/>	12	3628755	Camshaft Cover	10	
<input type="checkbox"/>	22	3628756	Camshaft Cover	2	
<input type="checkbox"/>	13	3177760	Hexagon Head Cap Screw	24	3/8 - 16 X 2 1/2 Inch.
<input type="checkbox"/>	14	S 103 D	Hexagon Head Cap Screw	24	3/8 - 16 x 1 1/4 in.
<input type="checkbox"/>	15	S 126	Hexagon Head Cap Screw	24	3/8 - 16 X 2 1/2 in.
<input type="checkbox"/>	16	3002993	Ring Dowel	24	
<input type="checkbox"/>	17	3040721	Cam Follower Housing Gasket	12	
<input type="checkbox"/>	18	S 604	Lock Washer	48	3/8 in.
<input type="checkbox"/>	19	S 602	Plain Washer	48	3/8 in.
<input type="checkbox"/>	23	127362	Plain Washer	24	3/8 in.
<input type="checkbox"/>	20	3017961	Push Rod	12	
<input type="checkbox"/>	21	3057139	Push Rod	24	